

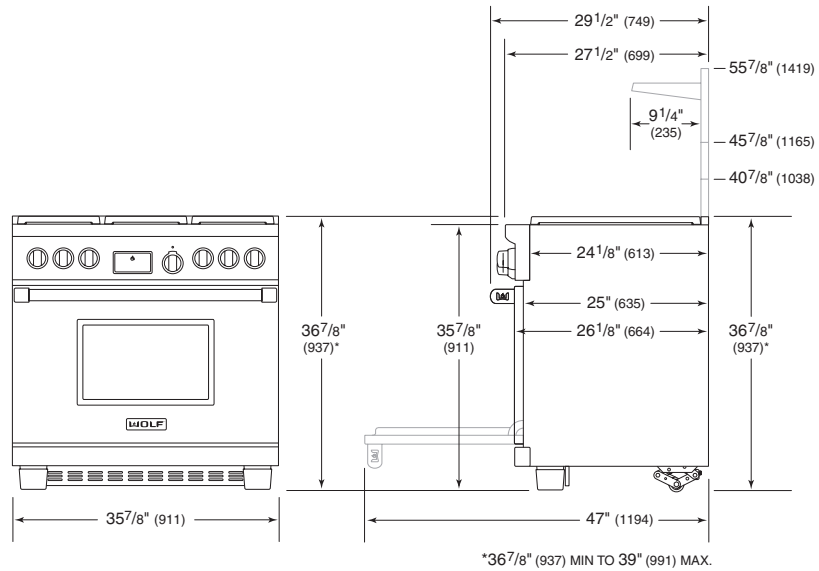
SPECIFICATIONS

PRODUCT	
Dimensions	35 ⁷ / ₈ "W x 36 ⁷ / ₈ "H x 29 ¹ / ₂ "D
Door Clearance	19 ¹ / ₂ "
Weight	445-470 lb
OVEN	
Capacity	5.4 cu ft
Interior	30"W x 16 ¹ / ₂ "H x 19"D
ELECTRICAL	
Supply Service	240/208 VAC, 60 Hz 30 amp circuit
GAS	
Supply Inlet	³ / ₄ " rigid pipe 1/2" NPT female

BURNER RATING (Btu)

SURFACE	SIMMER	HIGH
Large (5 or 3)	950	15,000
Small	325	9,200
FEATURE	NATURAL	LP
Charbroiler	16,000	16,000
Griddle	15,000	13,000

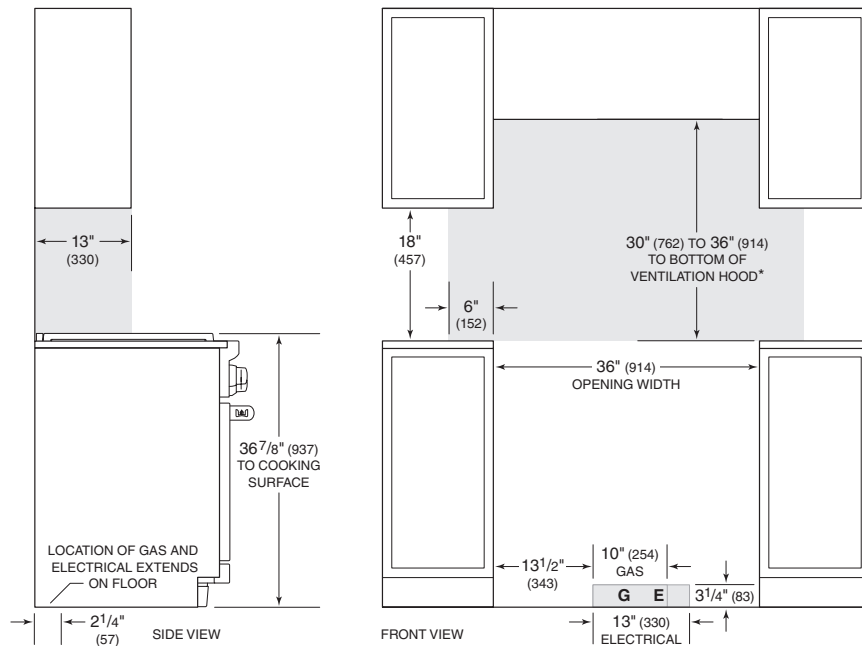
DIMENSIONS



Specifications are subject to change without notice. Visit wolfappliance.com/specs for the most up-to-date information.

Dimensions may vary ±1/8" (3). Dimensions in parentheses are millimeters unless otherwise specified.

INSTALLATION



*Without ventilation hood, 36" (914) minimum clearance countertop to combustible materials, 44" (118) for charbroiler.
 NOTE: Shaded area above countertop indicates minimum clearance to combustible surfaces, combustible materials cannot be located within this area.
 For island installation, 12" (305) minimum clearance back of range to combustible rear wall above countertop.
 A riser is required for installations against a combustible surface.